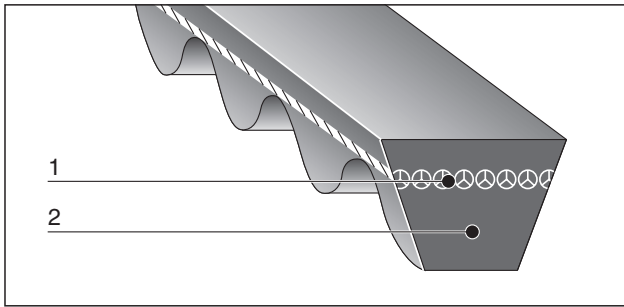


BANDO BANCOLLAN V BELTS

V COGGED BELTS (VC)



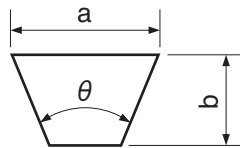
Construction

- 1: Polyester tensile members
- 2: Polyurethane compression section.

Features

- Space saving: Pulleys as small as 0.6" OD can be used.
- Clean operation: No "black rubber dust" problem.
- High oil resistance.

Dimensions

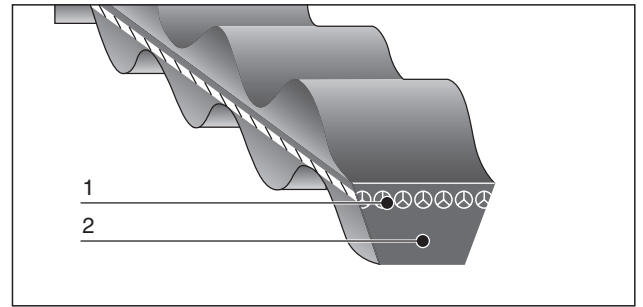


	Type	Top width a	Thickness b	Angle θ
VC	2L	6.5mm (0.25")	4.0mm (0.16")	40°
	6	6.0mm (0.24")	4.0mm (0.16")	40°
DC	6	6.0mm (0.24")	4.0mm (0.16")	40°

Standard Sizes

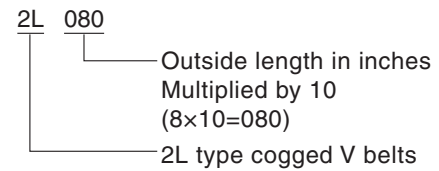
Type	Belt number	Outside length		Belt number	Outside length		Belt number	Outside length		Belt number	Outside length		
		mm	inch		mm	inch		mm	inch		mm	inch	
VC 2L	2L 080	203.2	8.0	2L 130	330.2	13.0	2L 180	457.2	18.0	2L 260	660.4	26.0	
	2L 090	228.6	9.0	2L 140	355.6	14.0	2L 190	482.6	19.0	2L 280	711.2	28.0	
	2L 100	254.0	10.0	2L 150	381.0	15.0	2L 200	508.0	20.0	2L 300	762.0	30.0	
	2L 110	279.4	11.0	2L 160	406.4	16.0	2L 220	558.8	22.0	2L 340	863.6	34.0	
	2L 120	304.8	12.0	2L 170	431.8	17.0	2L 240	609.6	24.0				
VC 6	VC6X207	207.0	8.1	VC6X349	349.0	13.7	VC6X450	450.0	17.7	VC6X613	613.0	24.1	
	VC6X220	220.0	8.7	VC6X350	350.0	13.8	VC6X460	460.0	18.1	VC6X628	628.0	24.7	
	VC6X232	232.0	9.1	VC6X360	360.0	14.2	VC6X466	466.0	18.3	VC6X650	650.0	25.6	
	VC6X250	250.0	9.8	VC6X370	370.0	14.6	VC6X470	470.0	18.5	VC6X663	663.0	26.1	
	VC6X260	260.0	10.2	VC6X380	380.0	14.96	VC6X480	480.0	18.9	VC6X700	700.0	27.6	
	VC6X261	261.0	10.3	VC6X381	381.0	15.0	VC6X485	485.0	19.1	VC6X713	713.0	28.1	
	VC6X280	280.0	11.0	VC6X390	390.0	15.4	VC6X490	490.0	19.3	VC6X730	730.0	28.7	
	VC6X289	289.0	11.4	VC6X400	400.0	15.7	VC6X500	500.0	19.7	VC6X750	750.0	29.5	
	VC6X297	297.0	11.7	VC6X407	407.0	16.0	VC6X511	511.0	20.1	VC6X760	760.0	29.9	
	VC6X300	300.0	11.8	VC6X410	410.0	16.1	VC6X520	520.0	20.5	VC6X764	764.0	31.1	
	VC6X315	315.0	12.4	VC6X414	414.0	16.3	VC6X530	530.0	20.9	VC6X800	800.0	31.5	
	VC6X320	320.0	12.6	VC6X420	420.0	16.5	VC6X540	540.0	21.3	VC6X821	821.0	32.3	
	VC6X330	330.0	13.0	VC6X430	430.0	16.9	VC6X550	550.0	21.7	VC6X850	850.0	33.5	
	VC6X340	340.0	13.4	VC6X432	432.0	17.0	VC6X561	561.0	22.1	VC6X866	866.0	34.1	
	VC6X343	343.0	13.5	VC6X440	440.0	17.3	VC6X587	587.0	23.1				
	VC6X345	345.0	13.6	VC6X444	444.0	17.5	VC6X600	600.0	23.6				
	DC 6	DC6X200	200.0	7.9	DC6X277	277.0	10.9	DC6X330	330.0	13.0	VC6X380	380.0	15.0
		DC6X210	210.0	8.3	DC6X280	280.0	11.0	DC6X340	340.0	13.4	VC6X390	390.0	15.4
DC6X230		230.0	9.1	DC6X290	290.0	11.4	DC6X345	345.0	13.6	VC6X400	400.0	15.7	
DC6X240		240.0	9.4	DC6X300	300.0	11.8	DC6X350	350.0	13.8	VC6X450	450.0	17.7	
DC6X250		250.0	9.8	DC6X310	310.0	12.2	DC6X360	360.0	14.2	VC6X500	500.0	19.7	
DC6X260		260.0	10.2	DC6X315	315.0	12.4	DC6X365	365.0	14.4	VC6X540	540.0	21.3	
DC6X270		270.0	10.6	DC6X320	320.0	12.6	DC6X370	370.0	14.6				

DOUBLE COGGED V BELTS (DC)

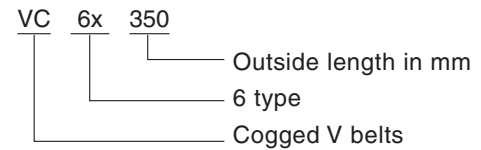


Size mark

(VC 2L types)



(VC-6 type)



(DC-6 type)

